

# E4 Pro Adjustable Flanged Trims

1.0

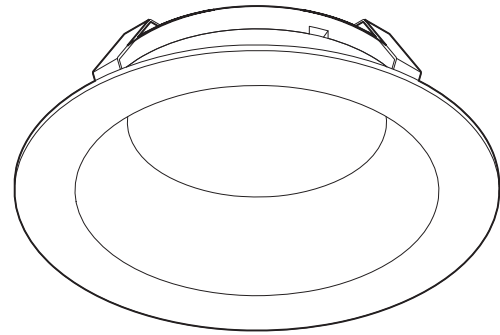
## VISUAL COMFORT & Co.

ARCHITECTURAL COLLECTION

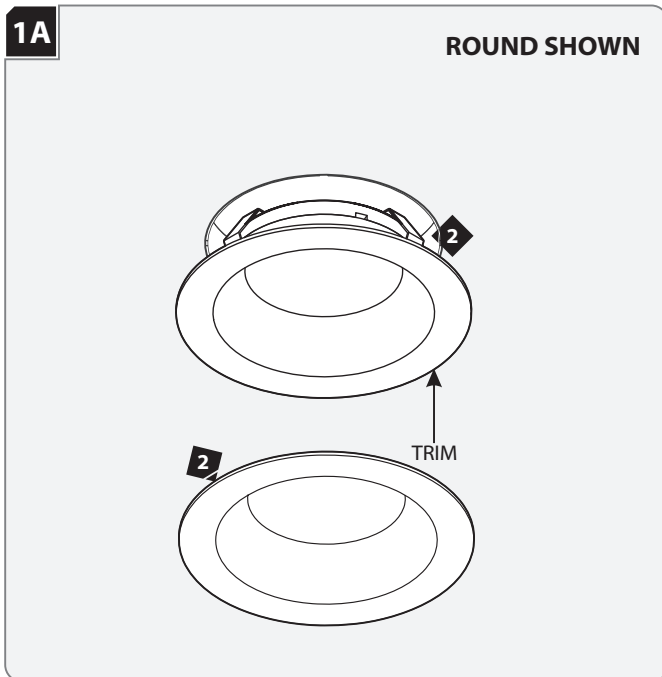
### GENERAL PRODUCT INFORMATION:

This product is suitable for indoor locations.

This instruction shows a typical installation.

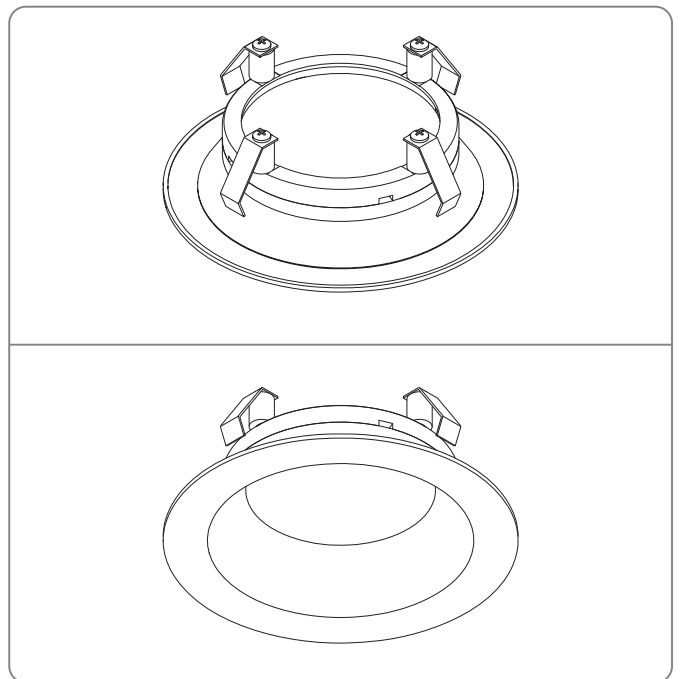


### Install the Trim



- 1 Align the trim with the inner edge of the collar.
- 2 Push the trim up until it snaps flush to the ceiling.

### Thick Ceiling Module



**SAVE THESE INSTRUCTIONS**